

## Model: OPSM

OPSM order picker is a high-powered solution for facilities and outlets that regularly handle high lift tasks, including stock picking, inspection, maintenance and installation. It is the best order picker rising for liberation of labor.

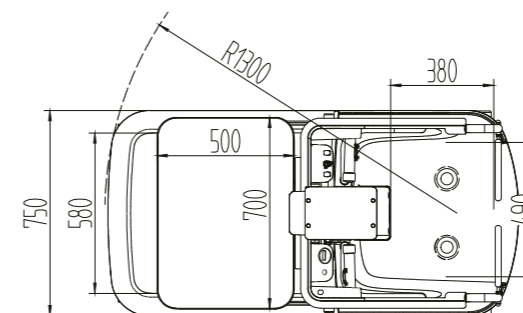
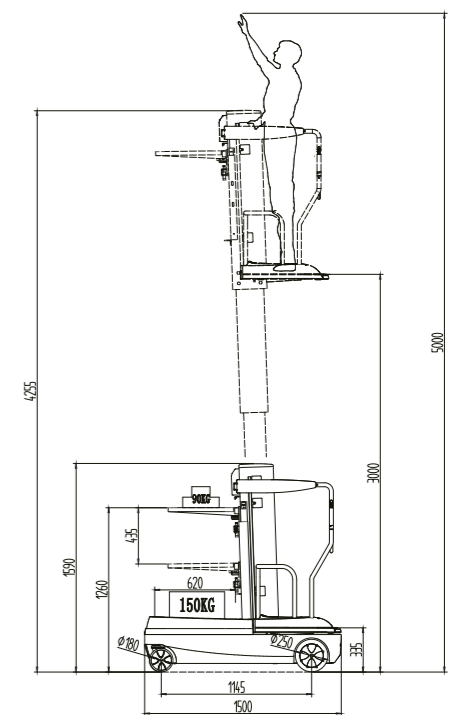
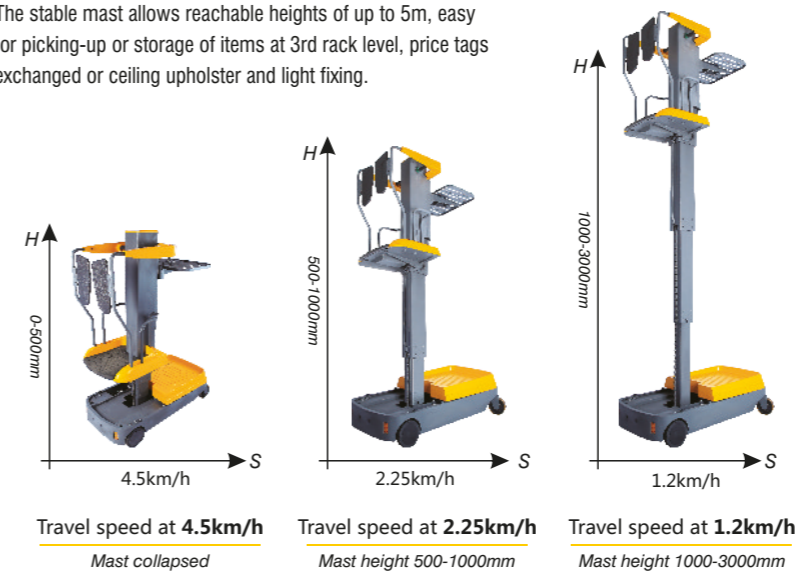


1KG=2.205LB 1INCH=25.40MM

Model	OPSM	
Power	Electric(Storage battery)	
Operation type	Stand driving	
Height, lowered	mm	1590
Overall length	mm	1500
Overall width	mm	750
Max. lift height, platform	mm	2995
Max. reachable height	mm	≈5000
Turning radius	mm	1300
Size of loading tray	mm	700x500
Load capacity of loading tray	(kg)	90
Load capacity of loading dock	(kg)	150
Tyre size, front	mm	Φ180
Tyre size, rear	mm	Φ250
Wheels, number front rear (x=driven wheels)	2-2X	
Wheelbase ground distance	m <sub>g</sub> (mm)	65
Travel speed, laden/unladen	Km/h	4.5
Battery voltage, nominal capacity K20	V/Ah	24/105(250)
Battery dimensions	mm	260x168x212
Battery weight	kg	61
Service weight	kg	750

The stable mast allows reachable heights of up to 5m, easy for picking-up or storage of items at 3rd rack level, price tags exchanged or ceiling upholster and light fixing.

Conforms to  
EN ISO3691-1  
EN1175-1  
EN16307-1  
EN ISO 12100



### Compact structure

With compact body of 750 mm width and the low stand height, OPSM is able to easily pass along narrow shop aisles and through low doors. The adjustable loading tray is mesh-designed, providing good visibility downward for safety.



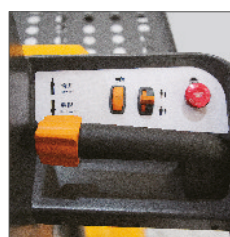
### Safety Gate

Active sensor automatically cuts the power cycle if the platform is above 500mm and the gate is left open. Meanwhile, the lifting speed will decelerate for safety concern.



### Hand Sensor

With hand sensor on the control handle to start travel, lift and lower.



### Ease Control

Fingertip control, including accelerator, lifting&lowering, turtle speed, emergency stop button. Easy steering in tight space.



### Tow device(option)

Tractor tow device is available, helping to pull trailers when needed.

### Dual Foot Pedals

Dual foot sensors will detect if the operator has both feet properly positioned on the platform.