

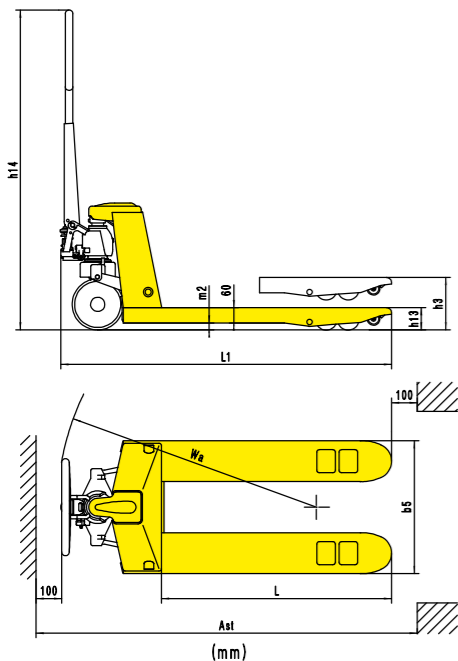
Model: WB 5000KG

1KG=2.205LB 1INCH=25.40MM

Model	WB		
Capacity	Q(kg)	5000	5000
Lowered fork height	h ₂ (mm)	88	78
Steering wheel	mm	φ200	φ180
Fork wheel single	mm	~	~
Fork wheel tandem	mm	φ85x80	φ75x80
Max. lift height	h ₁ (mm)	205	195
Total height	h ₀ (mm)	1253	1243
Overall length	l ₁ (mm)	1544/1614	1544/1614
Fork length	l ₂ (mm)	1150/1220	1150/1220
Width overall forks	b ₁ (mm)	550/685	550/685
Ground clearance, centre of wheelbase	m ₂ (mm)	28	18
Aisle width for pallets 1000x1200 crossways	A ₁ (mm)	1744/1814	1744/1814
Aisle width for pallets 800x1200 lengthways	A ₂ (mm)	1794/1814	1794/1814
Turning radius	W ₁ (mm)	1300/1370	1300/1370
Service weight	kg	103-110	103-110



Heavy Duty



Heavy duty type pallet truck

- High reliability and long service life of 5 years.
- Double lifting speed when loads under 600kg, which turns back to regular speed when above it.
- Impact free lifting ensures safety of cargo loading.
- The lifting system is equipped with overloading protection valve to ensure the safe operation.
- The utilized structural design guarantees the convenience of assembling and disassembling.
- Light-weight fork frame, made from high rigidity steel plate.
- Compact appearance, complete rocker arm, ensure the whole truck evenly pressed.
- There is a finger hole in the connection of handle and pump, easy to assemble.

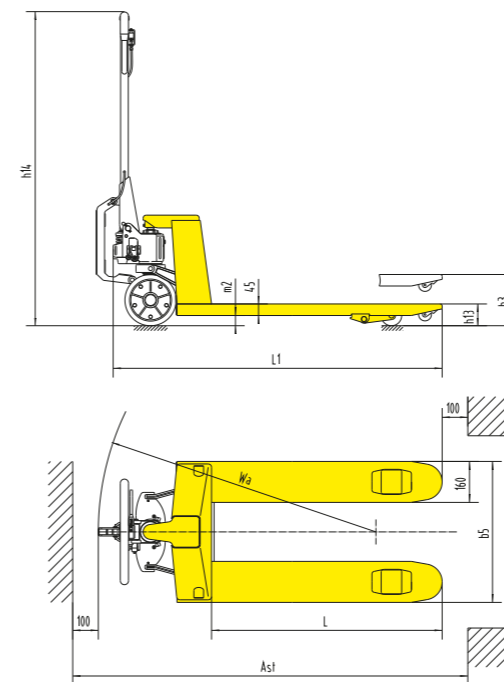
Model: BFA

Advantages:

- 90% less full loading pull strength than normal truck.
- Reverse brake function avoid the reverse sliding on the slope.

Operating Introductions:

- Lift the fork and let the handle at the neutral position.
- Pull the left power-assisted lever at the bottom position, flapping the handle, very easy to start the truck.



1KG=2.205LB 1INCH=25.40MM

Model	BFA		
Capacity	kg	2500	2500
Lowered fork height	h ₂ (mm)	85	75
Steering wheel	mm	φ200	φ180
Fork wheel single	mm	φ80x93	φ74x93
Fork wheel double	mm	φ80x70	φ74x70
Max. lift height	mm	200	190
Height of tiller	h ₀ (mm)	1224	1214
Overall length	l ₁ (mm)	1483/1533/1603	1483/1533/1603
Fork length	l ₂ (mm)	1100/1150/1220	1100/1150/1220
Width overall forks	b ₅ (mm)	520/550/685	520/550/685
Ground clearance, center of wheelbase	m ₂ (mm)	40	30
Aisle width for pallets 1000x1200 crossways	A ₁ (mm)	1683/1733/1803	1683/1733/1803
Aisle width for pallets 800x1200 lengthways	A ₂ (mm)	1783/1783/1803	1783/1783/1803
Turning radius	W ₁ (mm)	1216/1266/1336	1216/1266/1336
Service weight	kg	65-77	65-77