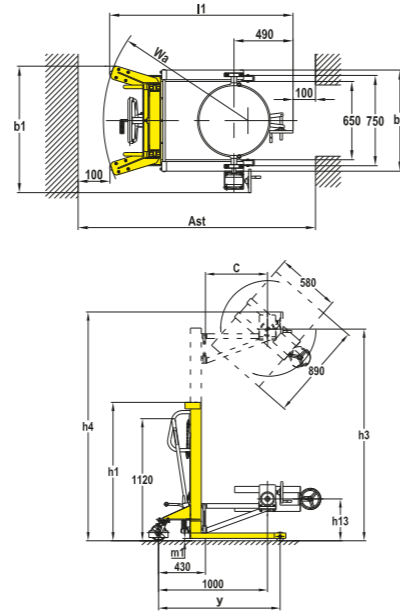
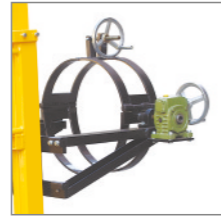


Drum Lifter

Model: **YTD-35**



Drum Stacker

1KG=2.205LB 1INCH=25.40MM

Model	YTD-35	
Capacity	Q(kg)	350
Load centre distance	c(mm)	570
Wheelbase	y(mm)	1115
Tyre size, front	(mm)	φ 80x36
Tyre size rear	(mm)	φ 147x40
Height, mast lowered	h ₁ (mm)	1270/1490
Max. lift height	h ₂ (mm)	1945/2385
Height, mast extended	h ₃ (mm)	2100/2640
Lowered fork height	h ₄ (mm)	385
Overall length	l ₁ (mm)	1580
Overall width	b ₁ (mm)	1050
Width overall forks	b ₂ (mm)	840
Ground clearance, laden, below mast	m ₁ (mm)	22
Turning radius	W ₁ (mm)	1200
Lowering speed, laden/unladen	mm/s	manual control
Service weight	kg	235

Drum Loader

Model: **HD08**

Max.Height of Drum: 957mm
Min.Height of Drum: 832mm
Drum Dia: 580mm

- Easily and quickly lift drums without hydraulic or electric connections.



Model: **HD08**
Cap. :300kg



Model: **HD80A**
Cap. : 300kg



Model: **DTF450B**
Cap. : 300kg

Lift Table

